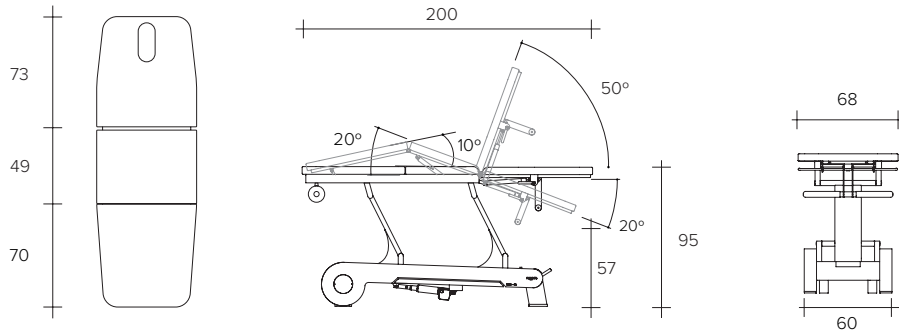


N'RUN302

Technical sheet



PRODUCT DIMENSIONS (cm)



COMPONENTS

Spradling © vinyl coating



GENERAL SPECIFICATIONS

Motors 3 engines (height, backrest and middle section)

Dimensions (length x width) 200 x 55 / 80 cm

Height (min. and max.) 57 / 95 cm

Weight 107 - 117 kg

Thickness 5 cm

Density 40 g/cm³

Loading capacity 250 kg

Operation Peripheral switch

Upholstery Seamless round edges

STANDARD SPECIFICATIONS

Breather hole

4 wheels turning 360°

Peripheral switch

Safety block

STANDARD COLOURS



(3202 - 4003)

ACCESSORIES

Paper roll holder

Bed cover

TECHNICAL PARAMETERS

Power supply 230 V - 50/60 Hz

Max. Intensity 2 A

Electric motor 6.000 N

Safety class II (Double)

Moisture resistance IPX6 (against water jets)

Product classification I (Low risk device)

UPHOLSTERY

Composition 100% vinyl

Protective finish Permablock®

Antimicrobial

Antifungal protection

Antibacterial protection

Antimycotic protection

Abrasion resistance >300.000 cycles

UV-resistance 1000 hours, blue wool scale

Flame retardancy NF P 92-503 / M2